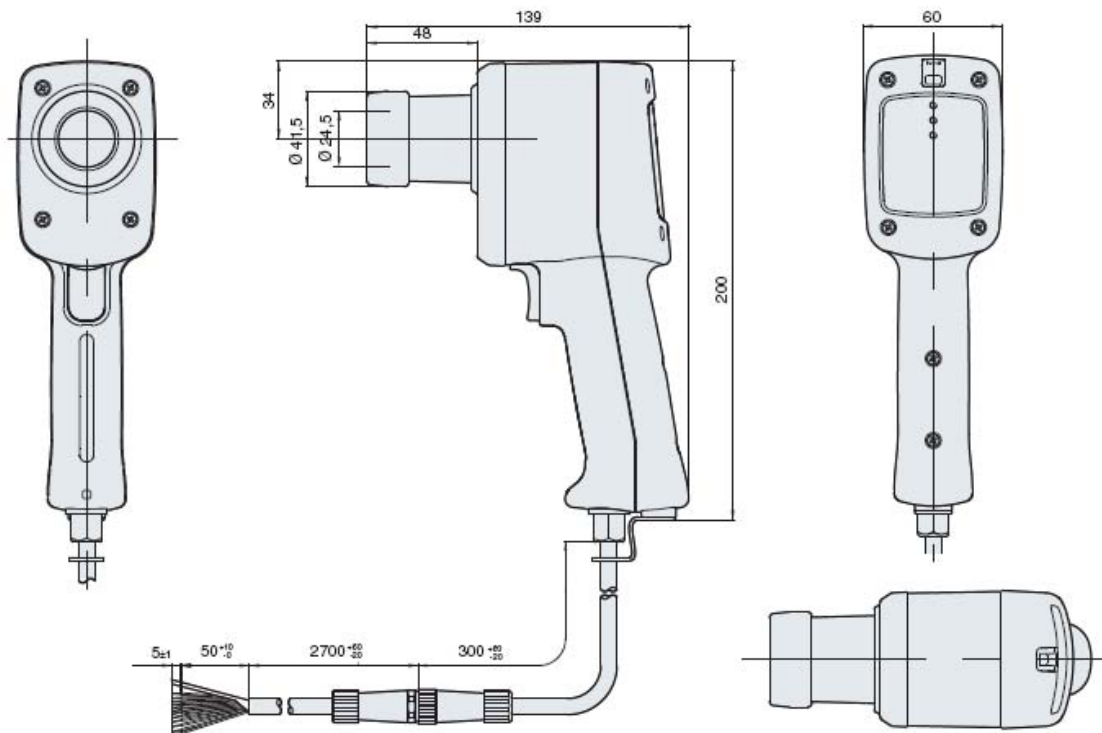


Dimensions (Unit: mm)



● PD65 Guide pipe (option) ANPD068-G1

