

High Performance Fieldbus Slave Units

Powerful, compact, modular, high performance fieldbus slave units (FSU) are used together with the programmable controllers FPΣ (Sigma), FP2/FP2SH and FP0/FP0R. FSUs for PROFIBUS, DeviceNet and CANopen have already proven themselves in the field. Now, Panasonic has added the PROFINET IO slave unit to better accommodate our customers. More FSUs are planned for the future.

Slave Units for PROFIBUS DP, DeviceNet, CANopen and PROFINET IO



Slave units for PROFIBUS DP
FP2-DPV1-S
FPG-DPV1-S



Slave units for DeviceNet
FP2-DEV-S
FPG-DEV-S



Slave units for CANopen
FP2-CAN-S
FPG-CAN-S



New

Slave units for PROFINET IO
FP2-PRT-S
FPG-PRT-S



Slave unit for PROFIBUS DP
(FP0/FP0R expansion unit
also compatible with FP-X)
FP0-DPS2

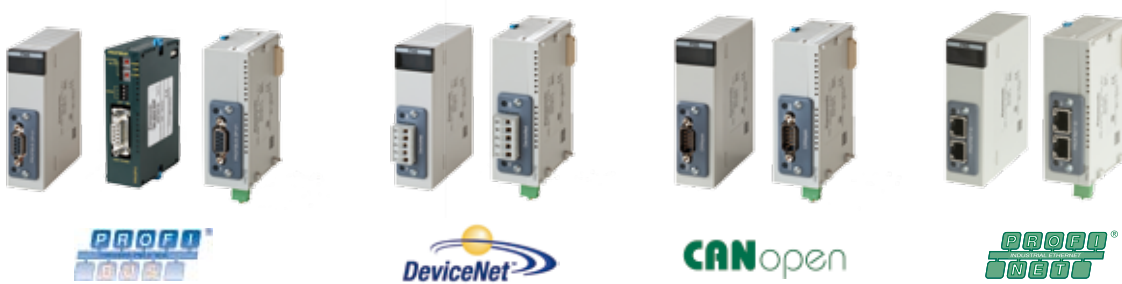


Advantages:

- Wide range of connectivity solutions for FP-series
- One PLC hardware platform for several bus systems
- Extremely compact
- Easy programming with ready-made function libraries

3 simple steps to set up your network

Select network



1

Download free slave data

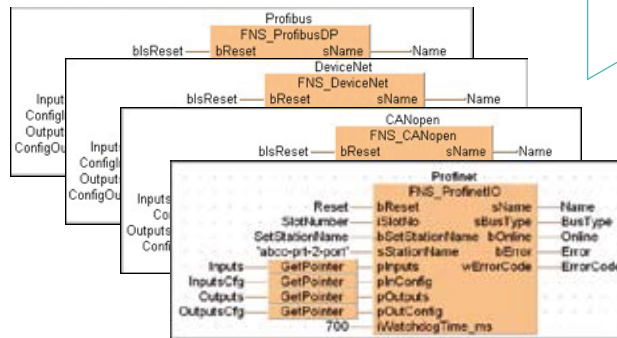
PROFIBUS DP	GSD file
DeviceNet	EDS file
CANopen	EDS file
PROFINET IO	XML file

2

Download free, ready-made library PEW_FNS.sul

All the slave data files and ready-made function libraries can be downloaded free of charge from www.panasonic-electric-works.com

The function libraries are used for the programming software Control FPWIN Pro. These libraries drastically shorten the time needed to develop your applications, and consequently save valuable human resource costs. They also include a complete online help file and programming examples.



3

FSU (Fieldbus Slave Units) specifications:

Item	PROFIBUS DP	DeviceNet	CANopen	PROFINET IO
Part nr.	FP2-DPV1-S FPG-DPV1-S FP0DPS2	FP2-DEV-S FPG-DEV-S	FP2-CAN-S FPG-CAN-S	FP2-PRT-S FPG-PRT-S
Baud rate	<ul style="list-style-type: none"> Automatic baud rate detection 9.6kbaud to 12Mbaud 	<ul style="list-style-type: none"> Automatic baud rate detection 125kbps to 500kbps 	<ul style="list-style-type: none"> Automatic baud rate detection 10kbps to 1Mbps 	<ul style="list-style-type: none"> 100Mbps, full duplex (fixed)
Isolation	Galvanically isolated bus electronics	Galvanically isolated bus electronics	Galvanically isolated bus electronics	Galvanically isolated bus electronics
Connection types	DP-V0: process data is accessed from the PROFIBUS network as cyclical I/O data	<ul style="list-style-type: none"> Cyclic connections COS (Change of State) Bit strobe connections Polled connections Explicit connections 	PDO (Process Data Object) Exchange via: <ul style="list-style-type: none"> Cyclic Synchronous Acyclic Synchronous COS (Change of State) Timer-driven connections 	PROFINET IO conformance class B Cyclic Data Exchange via PROFINET IO Real Time (RT) communication, 2ms cycle time
Maximum inputs / outputs	<ul style="list-style-type: none"> 76 words altogether for inputs and outputs (in units of 1, 2 or 4 words) FP0DPS2: 6 words/6 words 	E. g. for cyclic connections: 128 words in each direction	Data 128 words (for TPDOs and RPDOs)	128 words of Real Time I/O data, in each direction
Additional features	Diagnostic support	<ul style="list-style-type: none"> UCMM capable CIP parameter object Diagnostic support 	Diagnostic support	Diagnostic support
Interface	DB9F (9-pin Sub-D female)	5-pin terminal block	DB9F (9-pin Sub-D male)	Integrated 2-port switch: 2 x RJ45 socket
Weight	FP2-DPV1-S: 119g FPG-DPV1-S: 92g FP0DPS2: 80g	FP2-DEV-S: 120g FPG-DEV-S: 93g	FP2-CAN-S: 120g FPG-CAN-S: 93g	FP2-PRT-S: 119g FPG-PRT-S: 92g
Volume (WxHxD)	FP2-DPV1-S: 27.7x100x93mm FPG-DPV1-S: 30x90x60mm FP0DPS2: 25x90x60mm	FP2-DEV-S: 27.7x100x93mm FPG-DEV-S: 30x90x60mm	FP2-CAN-S: 27.7x100x93mm FPG-CAN-S: 30x90x60mm	FP2-PRT-S: 27.7x100x93mm FPG-PRT-S: 30x90x60mm

